

NEC P SERIES

Pure. Professional. Performance.

MULTI-TOUCH DISPLAYS



40" - 70" professional-grade, LED edge-lit displays for the most harsh install environments

High-Quality, Large-Screen Interactive Display for Business and Education Applications



Infrared (IR) Touch Screen System

The touch-screen displays utilise state-of-the-art infrared control. This infrared system delivers better responsiveness compared to other types of touch screen technologies. Up to Ten Point multi-touch capability provides enhanced object control for multiple users on a screen.

Advanced Power Saving Features

LED edge-lit backlighting reduces power consumption and allows a slimmer cabinet depth. NEC LED Displays include a number of power saving features such as power/input scheduling and automatic brightness control for lower cost of ownership.

Full HD Resolutions, Great Picture Quality

The LED touch screens deliver high definition visuals with a wide viewing angle. NEC LED displays offer high brightness, excellent contrast and smooth moving images.

Features and Benefits

- Ten point multi-touch in Windows 7 and 8.
- Available in 40", 46", 55" and 70" size models.
- High brightness and contrast displays.
- 700 cd/m2 maximum brightness.
- Open Pluggable Specification and Interface Expansion slots.
- USB touch-screen connectivity.
- Three year limited warranty.
- LED backlit design

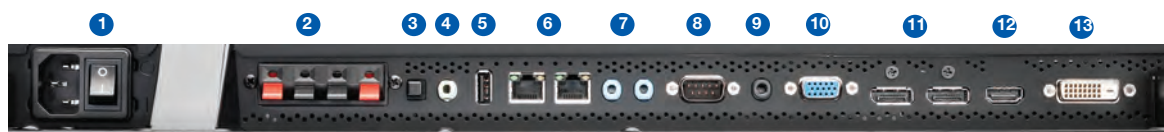


* For more information on LCD display specifications, please visit our website.

OPTIONAL BUILT-IN PC

Input Panel

1. Vacation Switch
2. External Speaker Terminal
3. Internal/External speaker switch
4. Audio Mini Jack Out
5. USB Service Port
6. LAN Ports
7. Audio Mini Jack In
8. RS-232C In
9. Remote In
10. VGA D-Sub In
11. DisplayPort In/Out
12. HDMI In
13. DVI-D In



Touch Screen Specifications

TOUCH CHARACTERISTICS

NEC P Series 40", 46", 55"

NEC P Series 70"

Input Method	Finger, glove or stylus interaction	
Touch Activation Force	No minimum touch activation force	
Available Object Sizes for Touch	Touch : Ø8 mm	Touch : Ø10 mm
Response Time	10mS< Touch< 23 ms	8mS< Touch< 18 ms
Optics Cell Pitch	5.7mm ± 0.2mm	
Optics Number	213(H) x 120(V)	285(H) x 160(V)
Compatible operating systems	Windows XP, Vista, 7 and 8 / 8.1 . MAC OSX (single touch)	

ELECTRICAL

Operating Voltage	DC 4.6V~ 5.25V	
Power Consumption	Max 2W(5V, 400 mA)	Max 6W(12V, 500 mA)

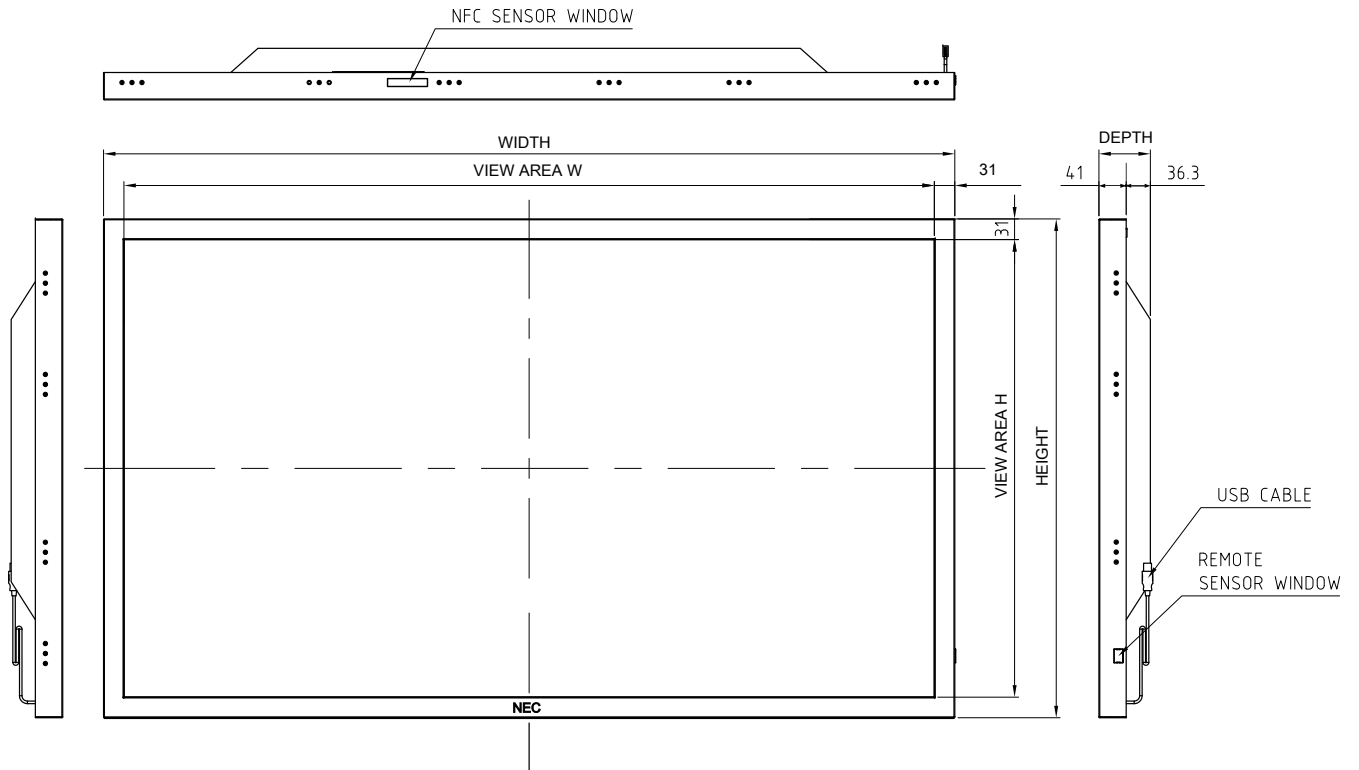
ENVIRONMENT

Interface	USB1, USB 2.0 Full Speed(12Mbps)	
Detection Method	Infrared Rays	
Warranty	USB Powered: 3 years limited warranty	
	Controller: 3 years limited warranty	
	LCD Display: 3 years limited warranty	
Weight		
Mounting Orientation	Portrait, Landscape, Face-up	Portrait, Landscape

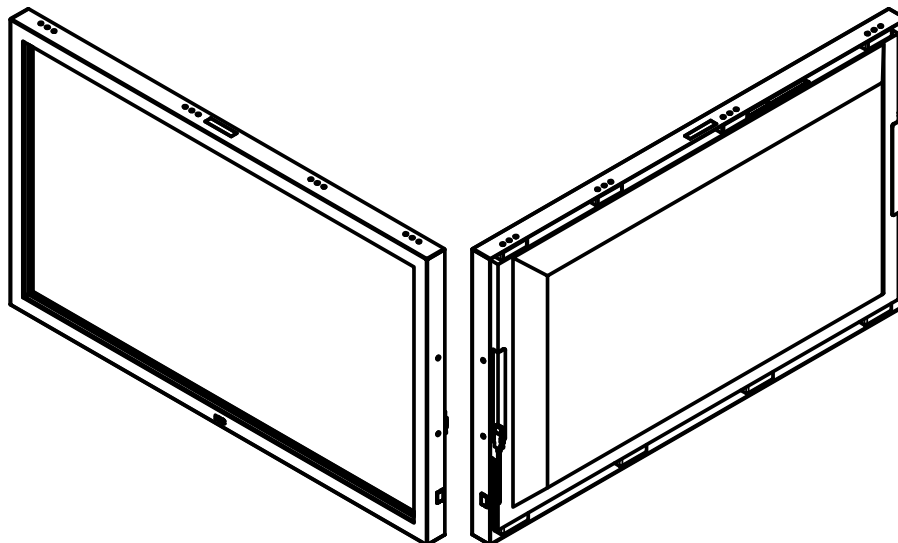
Empowered by Innovation



Dimensions



Model	Width (mm)	Height (mm)	Depth (mm)	View Area W (mm)	View Area H (mm)	Weight (Kg)
40"	953	566.8	79.2	891.76	504.86	27
46"	1082	635.8	77.4	1022	576.6	33
55"	1277	748.9	77.4	1216	686.6	40
70"	1640	961	102	1543.4	872.4	87



Empowered by Innovation

NEC